

0CU10-M02500EN

# P R E F A C E

1. This parts catalog is the 1st edition of YDP40N, YDP40STN and YDP40TN.

	Parts catalog No.	Date of issue	Remarks
First edition	0CU10-G02500	Oct., 2008	

**Directions for the Parts Catalog.**

- 1.The parts stipulated in this Parts Catalog are not necessarily standard equipped parts.
- 2.Parts may change without prior notice.
- 3.The following is an example of the Parts Catalog format.

REF.	LEV.	PARTSNo.	DESCRIPTION	QTY						I	R	K
				(A)	(B)	(C)	(D)	(E)	(F)			
1		729595-51390	FUEL INJECTION PUMP	1	1	1	1	1				
1-1	1	729595-51391	FUEL INJECTION PUMP	1	1	1	1	1				
		(A=E00185) (B=E00200)										
3	2	26022-060162	SCREW M 6X16	9	9	9	9	9				
3-1	2	26022-060162	SCREW M 6X16	4	4	4	4	4			K	
		(A=E00156) (B=E00156) (C=E00156) (D=E00156) (E=E00156)										
4	2	129470-51040	GAMSHIFT	9	9	9	9	9				
5	2	122710-51050	BEARING. ROLLER	9	9	9	9	9				
6	2	129470-51060	RETAINER	9	9	9	9	9				

Remarks	
(1)	BOOST COMPEMSATOR TYPE. OPTIONAL PART. TO E/#00155 (4JH-DT, 4JH-DTZ)

**①Ref. No.**

The Ref. No. listed may not be in accordance with the illustration Ref. No.

(Ex.) Illustration No. List Ref No.

1 1 (Before change) → 1-1 (After change)

For interchangeable symbols N, R and K, illustrations for new parts may be abbreviated.

**②Lev. (Level)**

Level indication

The numbers below indicate the level of relativity towards the main part.

1 ---- Main parts (Assembly parts)

2 ---- Sub component included in " 1 ".

3 ---- Sub component included in " 2 ".

Note) Parts that are not for sale are partially illustrated but not listed.

**③Change Mark**

The "I" indicates parts that were newly changed.

**④Interchangeability Mark**

When a part change takes place, one of the following interchangeability symbols is indicated beside the part.

Symbol	Interchangeability	Contents note
N	Old $\begin{matrix} \leftarrow \text{Yes} \\ \text{No} \rightarrow \end{matrix}$ New	New Part is interchangeable for Old Part but Old Part is not interchangeable for New Part.
Q	Old $\begin{matrix} \leftarrow \text{No} \\ \text{Yes} \rightarrow \end{matrix}$ New	New Part is not interchangeable for Old Part but Old Part is interchangeable for New Part.
R	Old $\begin{matrix} \leftarrow \text{Yes} \\ \text{Yes} \rightarrow \end{matrix}$ New	New/ Old Parts are both interchangeable.
S	Old $\begin{matrix} \leftarrow \text{No} \\ \text{No} \rightarrow \end{matrix}$ New	New/ Old Parts are both not interchangeable.
W		Part discontinued.
Z		Part newly added.
F		Not interchangeable by a single part but interchangeable together with related parts.
K		Changes only for used parts quantities.

**⑤Effective Machine No.**

When a part changes, the effective Machine No. will be indicated in the (A)-(F) column.

Product Symbol	Product No.	Product Symbol	Product No.
C	Clutch No. Compressor No.	F	Machine No. (Agricultural Equip.)
D	Drive No.	M	Machine No.
E	Engine No.	Note 1)	Date

Note 1) A date may follow the symbol. (Ex.) 1996.01

Note 2) " XXX " are for parts that could not be predicted or for engine models that could not be identified.

Note 3) (A=E/#00185) is the E/# (Engine Serial Number) for the column (A) model (in this case 4JH-DT) after the parts design change.

**⑥Remarks Mark**

Figures or alphabets (symbols) are entered in the remarks column.

The comments (remarks) on parts that are indicated at the bottom of the illustration are the same symbols as those stated above.

# Contents

Fig. No. Fig. Name

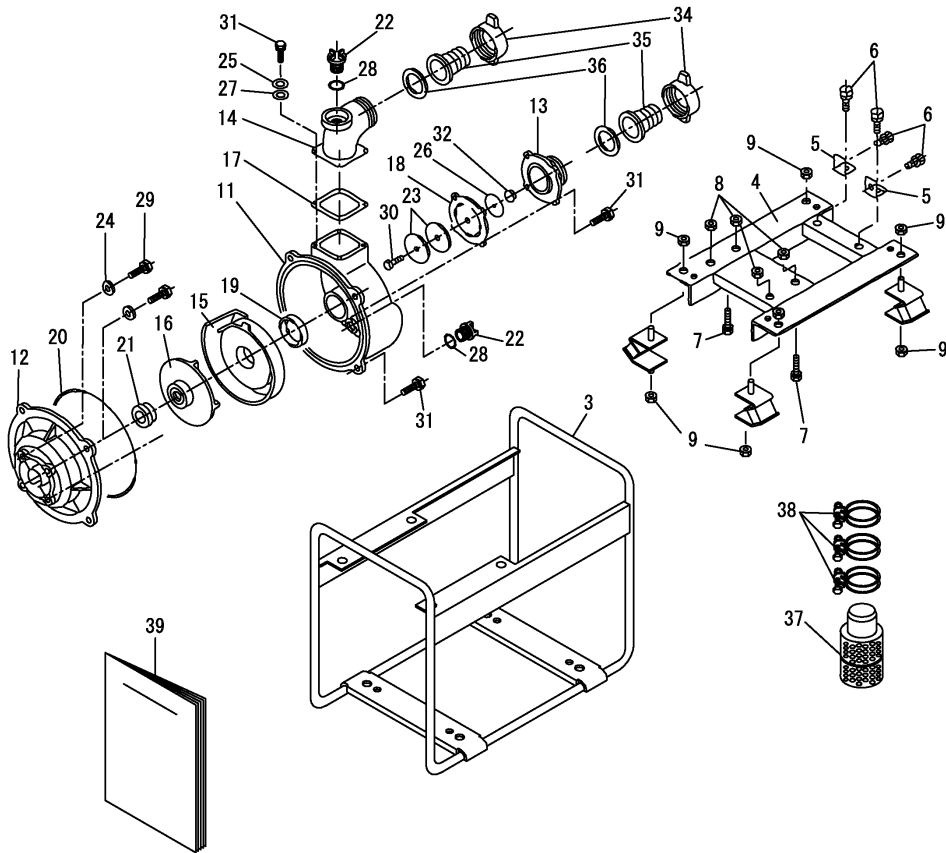
YDP40

1. PUMP SET (YDP40N)
2. PUMP SET (YDP40STN)
3. PUMP SET (YDP40TN)

Fig. No. Fig. Name

Fig.1. PUMP SET (YDP40N)

- 1 INC. 2~38
- 2 INC. 3~9
- 10 INC. 11~32
- 33 INC. 34~38



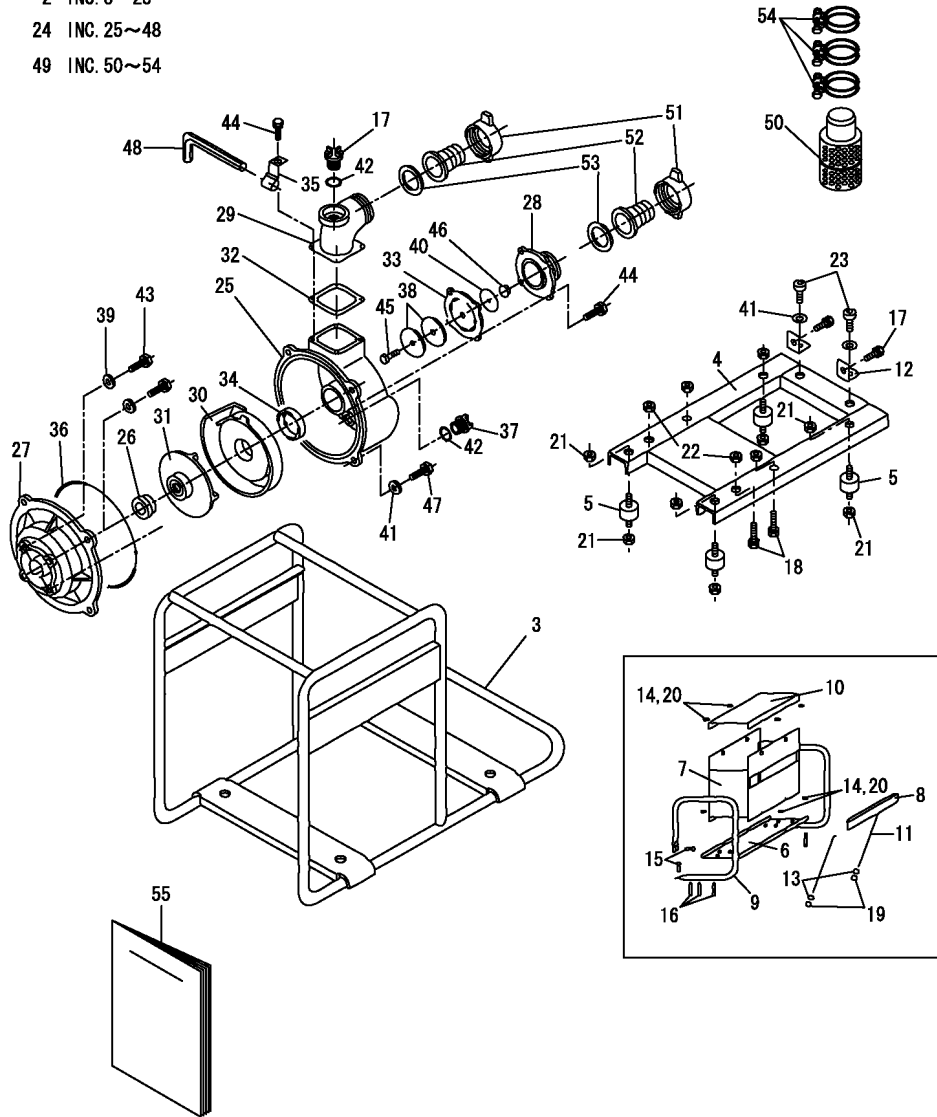
(A)=YDP40N  
(B)=YDP40STN  
(C)=YDP40TN

(D)=  
(E)=  
(F)=

No.	Lev.	Parts No.	Description	Q'ty						I	R
				(A)	(B)	(C)	(D)	(E)	(F)		
1	1	183073-98010	PUMP SET	1							
2	2	183073-08510	BASE SET	1							
3	3	183073-01010	FRAME	1							
4	3	183073-08010	BASE	1							
5	3	183073-48170	RETAINER	2							
6	3	26013-100204	BOLT, 10 X 20	4							
7	3	26013-100452	BOLT, M10X 45	4							
8	3	26367-100002	NUT, M10	4							
9	3	26377-100002	NUT, M10	8							
10	2	183073-48510	PUMP SET	1							
11	3	183073-48010	CASE	1							
12	3	183073-48020	COVER	1							
13	3	183073-48030	CASE	1							
14	3	183073-48040	BEND	1							
15	3	183073-48050	CASE	1							
16	3	183073-48060	IMPELLER	1							
17	3	183073-48070	GASKET	1							
18	3	183073-48080	VALVE, CHECK	1							
19	3	183073-48090	GASKET	1							
20	3	183073-48100	O-RING	1							
21	3	183073-48110	SEAL, MECHANICAL	1							
22	3	183071-48170	PLUG	2							
23	3	183073-48180	PLATE	2							
24	3	183073-48220	WASHER	4							
25	3	22137-100000	WASHER, 10	12							
26	3	22157-080000	WASHER, 8	1							
27	3	22217-100000	WASHER, SPRING 10	12							
28	3	24311-000240	O-RING, 1AP24.0	2							
29	3	26106-080452	BOLT, M8X 45 PLATED	4							
30	3	26117-080254	BOLT, 8 X 25	1							
31	3	26206-100302	BOLT, M10X 30 PLATED	12							
32	3	26367-080002	NUT, M8	1							
33	2	183073-98510	PARTS ASSY,ACCESSORY	1							
34	3	183073-48120	HANDLE	2							
35	3	183073-48130	COUPLING	2							
36	3	183073-48140	GASKET	2							
37	3	183073-48150	STRAINER	1							
38	3	183073-48160	BAND	3							
39	1	0AYDP-G00200	OPERATION MANUAL	1							

Fig.2. PUMP SET (YDP40STN)

- 1 INC. 2~54
- 2 INC. 3~23
- 24 INC. 25~48
- 49 INC. 50~54



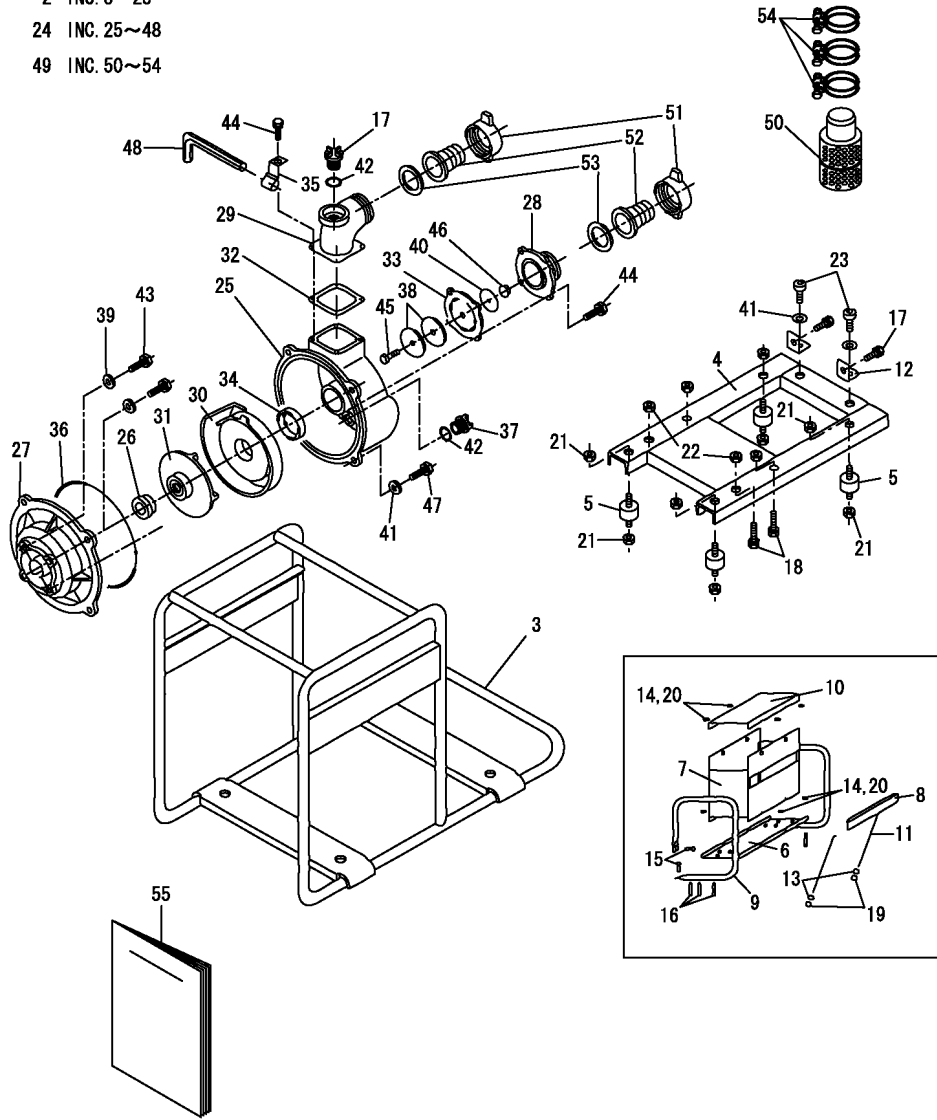
(A)=YDP40N  
(B)=YDP40STN  
(C)=YDP40TN

(D)=  
(E)=  
(F)=

No.	Lev.	Parts No.	Description	Qty						I	R
				(A)	(B)	(C)	(D)	(E)	(F)		
1	1	183076-98010	PUMP SET		1						
2	2	183076-08510	BASE SET		1						
3	3	183076-01020	FRAME		1						
4	3	183076-08010	BASE		1						
5	3	183076-08020	DAMPER		4						
6	3	183076-48030	BASE		1						
7	3	183076-48040	COVER		1						
8	3	183076-48050	ANGLE		1						
9	3	183076-48060	GUARD		2						
10	3	183076-48070	COVER, HEAD		1						
11	3	183076-48080	BOLT, BATTERY		2						
12	3	183073-48170	RETAINER		2						
13	3	22117-050000	WASHER, 5		2						
14	3	22213-050000	WASHER, SPRING 5		8						
15	3	26013-060169	BOLT, M6X 16		4						
16	3	26013-060309	BOLT, M6X 30		6						
17	3	26013-100204	BOLT, 10 X 20		2						
18	3	26013-100452	BOLT, M10X 45		4						
19	3	26051-050002	NUT, M5		2						
20	3	26106-050102	BOLT, M5X 10 PLATED		8						
21	3	26367-080002	NUT, M8		8						
22	3	26367-100002	NUT, M10		4						
23	3	26450-100202	BOLT, M10X 20		2						
24	2	183076-48510	PUMP SET		1						
25	3	183073-48010	CASE		1						
26	3	183076-48010	SEAL, MECHANICAL		1						
27	3	183073-48020	COVER		1						
28	3	183073-48030	CASE		1						
29	3	183073-48040	BEND		1						
30	3	183073-48050	CASE		1						
31	3	183073-48060	IMPELLER		1						
32	3	183073-48070	GASKET		1						
33	3	183073-48080	VALVE, CHECK		1						
34	3	183073-48090	GASKET		1						
35	3	183074-48090	PLATE		1						
36	3	183073-48100	O-RING		1						
37	3	183071-48170	PLUG		2						
38	3	183073-48180	PLATE		2						
39	3	183073-48220	WASHER		4						
40	3	22157-080000	WASHER, 8		1						
41	3	22217-100000	WASHER, SPRING 10		6						
42	3	24311-000240	O-RING, 1AP24.0		2						
43	3	26106-080452	BOLT, M8X 45 PLATED		4						
44	3	26106-100302	BOLT, M10X 30 PLATED		8						
45	3	26117-080254	BOLT, 8 X 25		1						
46	3	26367-080002	NUT, M8		1						
47	3	26450-100302	BOLT, M10X 30		4						
48	3	28150-080000	WRENCH, BAR 8		1						
49	2	183076-98510	PARTS ASSY,ACCESSORY		1						
50	3	183076-48020	STRAINER		1						
51	3	183073-48120	HANDLE		2						

Fig.2. PUMP SET (YDP40STN)

- 1 INC. 2~54
- 2 INC. 3~23
- 24 INC. 25~48
- 49 INC. 50~54



(A)=YDP40N  
 (B)=YDP40STN  
 (C)=YDP40TN

(D)=  
 (E)=  
 (F)=

No.	Lev.	Parts No.	Description	Qty						I	R
				(A)	(B)	(C)	(D)	(E)	(F)		
52	3	183073-48130	COUPLING		2						
53	3	183073-48140	GASKET		2						
54	3	183073-48160	BAND		3						
55	1	0AYDP-G00200	OPERATION MANUAL		1						

---

---

---

---

---

---

---

---

---

---

---

---

---

---

---

---

---

---

---

---

---

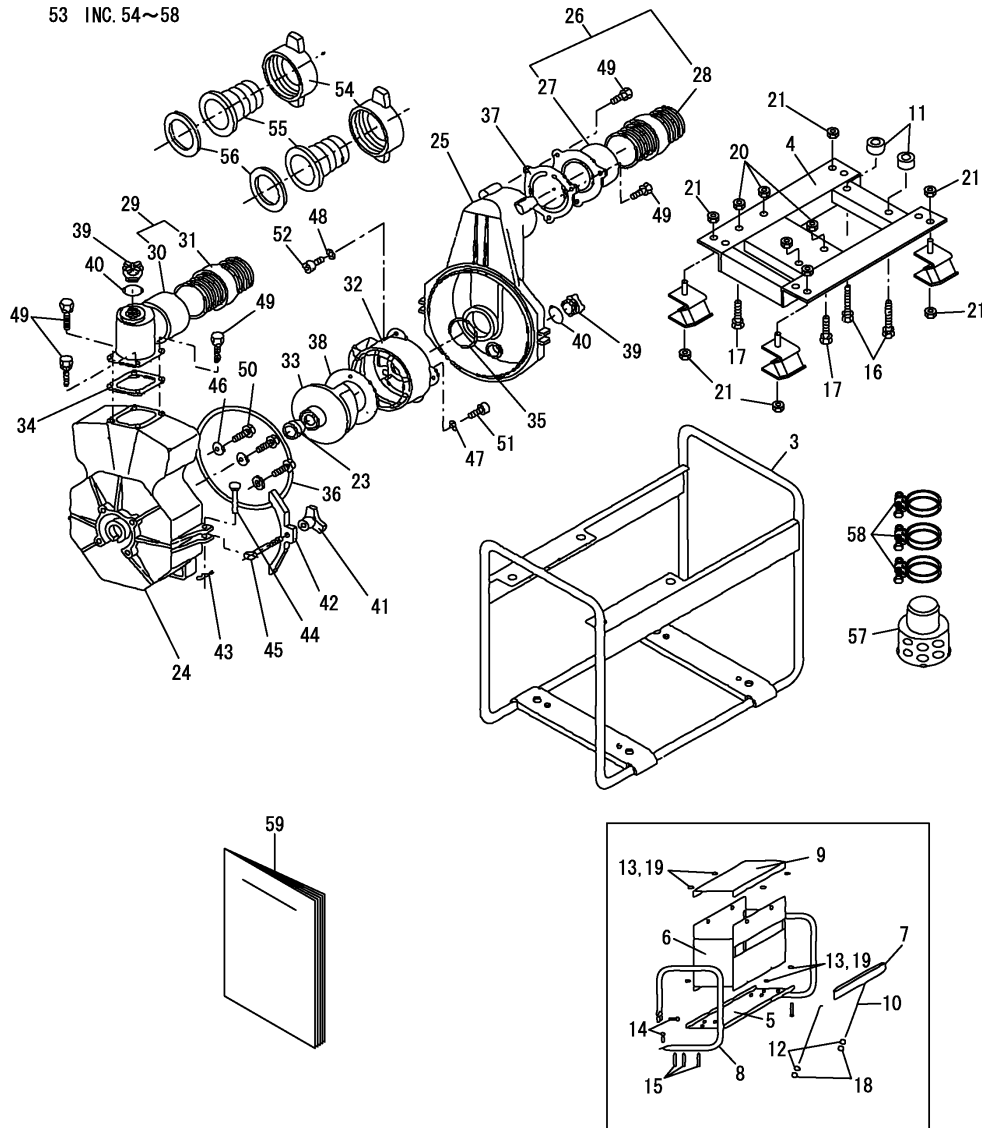
---

---

---

Fig.3. PUMP SET (YDP40TN)

- 1 INC. 2~58
- 2 INC. 3~21
- 22 INC. 23~52
- 53 INC. 54~58



(A)=YDP40N  
(B)=YDP40STN  
(C)=YDP40TN

(D)=  
(E)=  
(F)=

No.	Lev.	Parts No.	Description	Qty						I	R
				(A)	(B)	(C)	(D)	(E)	(F)		
1	1	183079-98010	PUMP SET			1					
2	2	183079-08510	BASE SET			1					
3	3	183079-01010	FRAME			1					
4	3	183079-08010	BASE			1					
5	3	183076-48030	BASE			1					
6	3	183076-48040	COVER			1					
7	3	183076-48050	ANGLE			1					
8	3	183076-48060	GUARD			2					
9	3	183076-48070	COVER, HEAD			1					
10	3	183076-48080	BOLT, BATTERY			2					
11	3	183079-48120	SPACER			2					
12	3	22117-050000	WASHER, 5			2					
13	3	22213-050000	WASHER, SPRING 5			8					
14	3	26013-060169	BOLT, M6X 16			4					
15	3	26013-060309	BOLT, M6X 30			6					
16	3	26013-080354	BOLT, 8 X 35			2					
17	3	26013-100504	BOLT, M10X 50			4					
18	3	26051-050002	NUT, M5			2					
19	3	26106-050102	BOLT, M5X 10 PLATED			8					
20	3	26367-100002	NUT, M10			4					
21	3	26377-100002	NUT, M10			8					
22	2	183079-48510	PUMP SET			1					
23	3	183076-48010	SEAL, MECHANICAL			1					
24	3	183079-48010	CASE			1					
25	3	183079-48020	COVER			1					
26	3	183079-48130	CASE			1					
27	4	183079-48030	VALVE CASE			1					
28	4	183079-48100	NIPPLE			1					
29	3	183079-48140	BEND ASSY			1					
30	4	183079-48040	BEND			1					
31	4	183079-48100	NIPPLE			1					
32	3	183079-48050	CASE			1					
33	3	183079-48060	IMPELLER			1					
34	3	183073-48070	GASKET			1					
35	3	183079-48080	O-RING, G90			1					
36	3	183078-48090	O-RING, G240			1					
37	3	183079-48090	VALVE, CHECK			1					
38	3	183079-48110	LINER			1					
39	3	183078-48120	PLUG			2					
40	3	183078-48130	O-RING			2					
41	3	183078-48150	KNOB			2					
42	3	183078-48160	HOLDER			2					
43	3	183078-48170	PIN			2					
44	3	183078-48180	RIVET			2					
45	3	183078-48220	BOLT			2					
46	3	183078-48250	WASHER			4					
47	3	22213-050000	WASHER, SPRING 5			3					
48	3	22213-080000	WASHER, SPRING 8			3					
49	3	26013-100302	BOLT, M10X 30			7					
50	3	26106-080452	BOLT, M8X 45 PLATED			4					
51	3	26450-050142	BOLT, M5X 14			3					

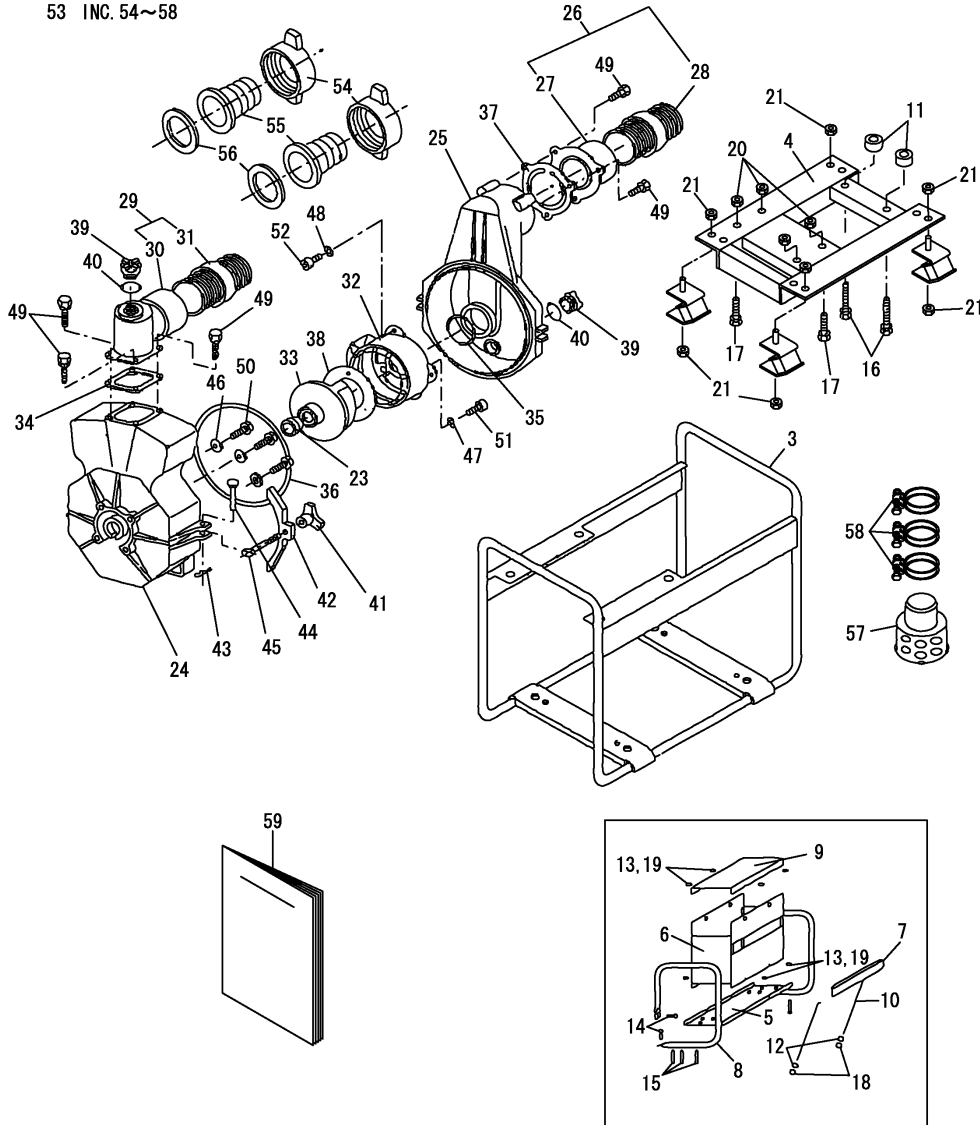


Fig.3. PUMP SET (YDP40TN)

(A)=YDP40N  
(B)=YDP40STN  
(C)=YDP40TN

(D)=  
(E)=  
(F)=

- 1 INC. 2~58
- 2 INC. 3~21
- 22 INC. 23~52
- 53 INC. 54~58



No.	Lev.	Parts No.	Description	Q'ty						I	R
				(A)	(B)	(C)	(D)	(E)	(F)		
52	3	26453-080302	BOLT, M8X 30			3					
53	2	183079-98510	PARTS ASSY,ACCESSORY			1					
54	3	183073-48120	HANDLE			2					
55	3	183073-48130	COUPLING			2					
56	3	183073-48140	GASKET			2					
57	3	183079-48150	STRAINER			1					
58	3	183073-48160	BAND			3					
59	1	0AYDP-G00200	OPERATION MANUAL			1					

## Parts No. Index

Parts No.	Fig. No.	Ref. No.
0AYDP-G00200	1	39
	2	55
	3	59
183071-48170	1	22
	2	37
183073-01010	1	3
183073-08010	1	4
183073-08510	1	2
183073-48010	1	11
	2	25
183073-48020	1	12
	2	27
183073-48030	1	13
	2	28
183073-48040	1	14
	2	29
183073-48050	1	15
	2	30
183073-48060	1	16
	2	31
183073-48070	1	17
	2	32
	3	34
183073-48080	1	18
	2	33
183073-48090	1	19
	2	34
183073-48100	1	20
	2	36
183073-48110	1	21
183073-48120	1	34
	2	51
	3	54
183073-48130	1	35
	2	52
	3	55
183073-48140	1	36
	2	53
	3	56
183073-48150	1	37
183073-48160	1	38
	2	54
	3	58
183073-48170	1	5
	2	12
183073-48180	1	23
	2	38
183073-48220	1	24
	2	39
183073-48510	1	10

Parts No.	Fig. No.	Ref. No.
183073-98010	1	1
183073-98510	1	33
183074-48090	2	35
183076-01020	2	3
183076-08010	2	4
183076-08020	2	5
183076-08510	2	2
183076-48010	2	26
	3	23
183076-48020	2	50
183076-48030	2	6
183076-48040	3	5
	2	7
183076-48050	3	6
	2	8
183076-48060	3	7
	2	9
183076-48070	3	8
	2	10
183076-48080	3	9
	2	11
183076-48510	3	10
	2	24
183076-98010	2	1
183076-98510	2	49
183078-48090	3	36
183078-48120	3	39
183078-48130	3	40
183078-48150	3	41
183078-48160	3	42
183078-48170	3	43
183078-48180	3	44
183078-48220	3	45
183078-48250	3	46
183079-01010	3	3
183079-08010	3	4
183079-08510	3	2
183079-48010	3	24
183079-48020	3	25
183079-48030	3	27
183079-48040	3	30
183079-48050	3	32
183079-48060	3	33
183079-48080	3	35
183079-48090	3	37
183079-48100	3	28
		31
183079-48110	3	38
183079-48120	3	11
183079-48130	3	26

Parts No.	Fig. No.	Ref. No.
183079-48140	3	29
183079-48150	3	57
183079-48510	3	22
183079-98010	3	1
183079-98510	3	53
22117-050000	2	13
22137-100000	3	12
	1	25
22157-080000	1	26
	2	40
22213-050000	2	14
	3	13
22213-080000		47
	3	48
22217-100000	1	27
24311-000240	2	41
	1	28
26013-060169	2	42
	2	15
26013-060309	3	14
	2	16
26013-080354	3	15
	3	16
26013-100204	1	6
26013-100302	2	17
	3	49
26013-100452	1	7
26013-100504	2	18
	3	17
26051-050002	2	19
26106-050102	3	18
	2	20
26106-080452	3	19
	1	29
26106-100302	2	43
	3	50
	2	44
26117-080254	1	30
26206-100302	2	45
	1	31
26367-080002	1	32
	2	21
26367-100002		46
	1	8
	2	22
26377-100002	3	20
	1	9
26450-050142	3	21
	3	51
26450-100202	2	23

Parts No.	Fig. No.	Ref. No.
26450-100302	2	47
26453-080302	3	52
28150-080000	2	48